

Contents

Fan trays overview	1
LSWM1HFANSC fan tray	1
Overview	1
Specifications	1
LSWM1HFANSCB fan tray	2
Overview	2
Specifications	3
Installing and removing a fan tray	4
Safety guidelines	4
Tools required	4
Installing a fan tray	4
Removing a fan tray	5

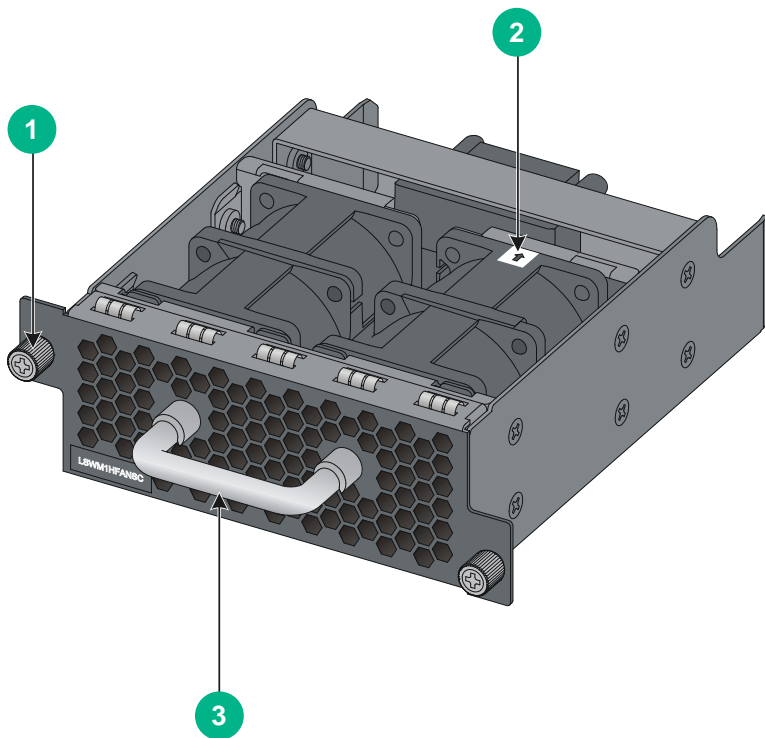
Fan trays overview

LSWM1HFANSC fan tray

Overview

The LSWM1HFANSC fan tray blows cool air from the power module side to the network port side. It comprises two separate fans. The LSWM1HFANSC features small size, fast heat dissipation, and hot swapping. It can automatically adjust the fan speed, providing powerful heat dissipation for the device.

Figure 1 LSWM1HFANSC fan tray



(1) Captive screw

(2) Airflow direction label (The fans take air in from the direction indicated by the label.)

(3) Fan tray handle

Specifications

Table 1 LSWM1HFANSC specifications

Item	Specifications
Fans	Two 40 × 40 × 56 mm (1.57 × 1.57 × 2.20 in) fans
Airflow direction	Fans blow air from the power module side to the network port side
Max fan speed	21000 R.P.M

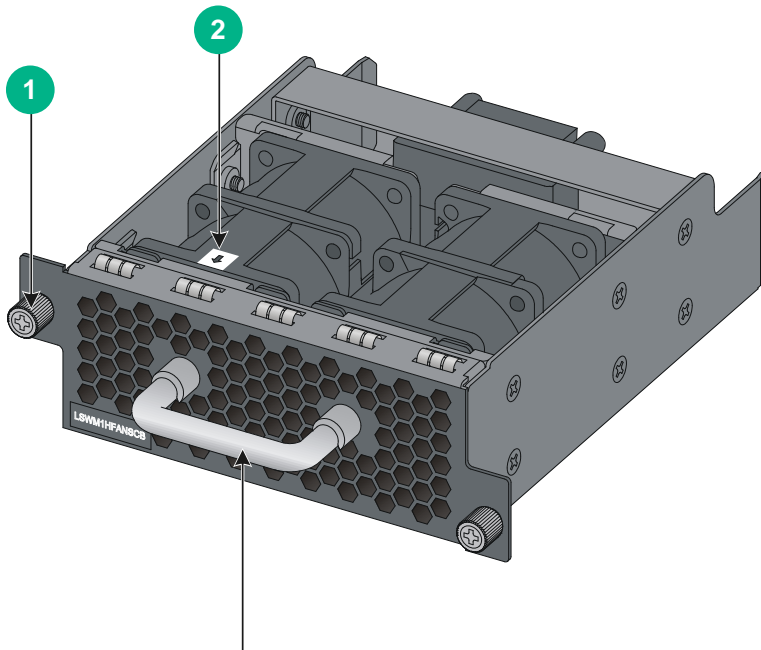
Item	Specifications
Max airflow	70 CFM
Max power consumption	60 W
Voltage	12 V
Operating temperature	0°C to 45°C (32°F to 113°F)
Relative humidity	5% to 95% (noncondensing)
Storage temperature	-40°C to +75°C (-40°F to +167°F)
Relative humidity	5% to 95% (noncondensing)

LSWM1HFANSCB fan tray

Overview

The LSWM1HFANSCB fan tray draws in hot air from the network port side to the power module side. It comprises two separate fans. The LSWM1HFANSCB features small size, fast heat dissipation, and hot swapping. It can automatically adjust the fan speed, providing powerful heat dissipation for the device.

Figure 2 LSWM1HFANSCB fan tray



-
- (1) Captive screw
 - (2) Airflow direction label (The fans draw air out to the direction indicated by the label.)
 - (3) Fan tray handle
-

Specifications

Table 2 LSWM1HFANSCB specifications

Item	Specifications
Fans	Two 40 x 40 x 56 mm (1.57 x 1.57 x 2.20 in) fans
Airflow direction	Fans draw in air from the network port side to the power module side
Max fan speed	21000 R.P.M
Max airflow	70 CFM
Max power consumption	60 W
Voltage	12 V
Operating temperature	0°C to 45°C (32°F to 113°F)
Relative humidity	5% to 95% (noncondensing)
Storage temperature	-40°C to +75°C (-40°F to +167°F)
Relative humidity	5% to 95% (noncondensing)

Installing and removing a fan tray

The installation and removal procedures for the LSWM1HFANSC and LSWM1HFANSCB are similar.

Safety guidelines

To avoid fan tray and device damage and bodily injury, follow these guidelines when you install or remove a fan tray:

- Wear an ESD-preventive wrist strap, and make sure the wrist strap makes good skin contact and is properly grounded.
- Do not touch any wire or connector on a fan tray.
- Do not place a fan tray on a moist area, and avoid liquid flowing into the fan tray.
- Do not remove any component on a fan tray. If a failure occurs on the internal wires or units, contact the technical staff to troubleshoot the problem.

Tools required

- Phillips screwdriver
- ESD-preventive wrist strap

Installing a fan tray



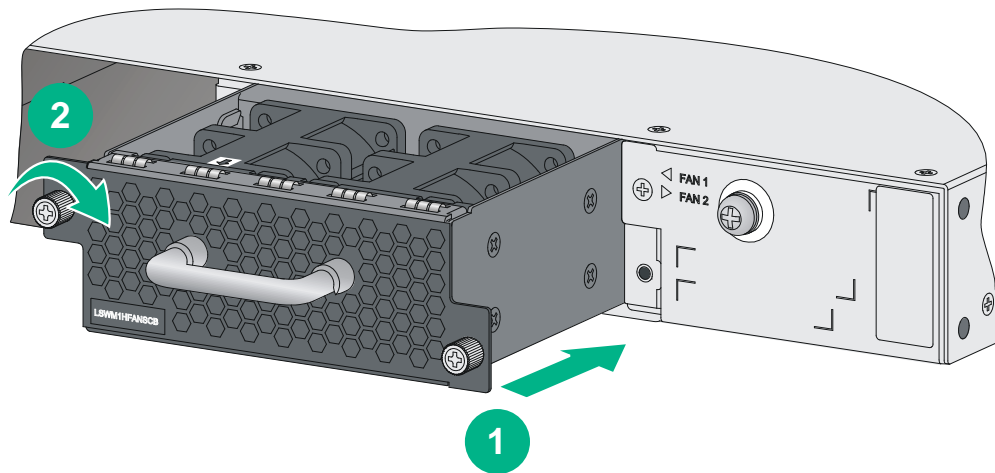
TIP:

Before installing a fan tray, make sure the air flow of the fan tray is as required.

To install a fan tray:

1. Wear an ESD-preventive wrist strap and make sure it makes good skin contact and is properly grounded.
2. Unpack the fan tray and verify that the fan tray model is as required.
3. Face the slot into which the fan tray is to be installed. Grasp the handle of the fan tray with one hand and support the fan tray bottom with the other, and then slide the fan tray along the guide rails into the slot until the fan tray seats into the slot and has a firm contact with the connector on the backplane (see callout 1 in [Figure 3](#)).
4. Fasten the captive screws on the fan tray with a Philips screwdriver until the fan tray is fixed into the chassis (see callout 2 in [Figure 3](#)).

Figure 3 Installing a fan tray



(1) Slide the fan tray into the slot

(2) Fasten the captive screws

△ CAUTION:

- To prevent damage to the fan tray or the connector on the backplane, insert the fan tray gently. If you encounter a hard resistance while inserting the fan tray, pull out the fan tray and then insert it again.
 - If the captive screws cannot be tightly fixed, check the installation of the fan tray.
-

Removing a fan tray

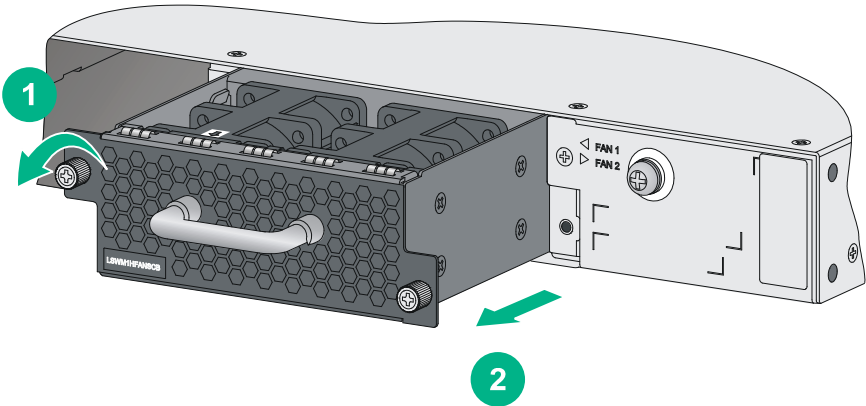
△ CAUTION:

- When you replace a fan tray with the device running, pay attention to safety with electricity.
 - Do not touch rotating fans when replacing a fan tray with the device running. To remove the fan tray, wait until the fans stop rotating.
 - Do not touch the fans even if they stop rotating. Otherwise, you might break the dynamic balance of the fans, resulting in greater operation noise.
 - After you remove a fan tray with the device running, install a new fan tray within two minutes to ensure proper ventilation of the device.
-

To remove a fan tray:

1. Wear an ESD-preventive wrist strap and make sure it makes good skin contact and is properly grounded.
2. Face the fan tray to be removed from the device. Loosen the captive screws on the fan tray with a Philips screwdriver until the captive screws fall off the device, as shown in callout 1 in [Figure 4](#).
3. Grasping the handle of the fan tray with one hand, pull the fan tray part way out the slot. Supporting the fan tray bottom with the other hand, pull the fan tray slowly along the guide rails out of the slot, as shown in callout 2 in [Figure 4](#).
4. Put the removed fan tray on an anti-static mat or anti-static bag.

Figure 4 Removing a fan tray



-
- (1) Loosen the captive screws on the fan tray
 - (2) Pull the fan tray out of the slot
-